

MILES

14-Mar.-2019

9.0

LED 30W | 220-240VAC | 50-60Hz | PCBA 3-step | incl. PS | phase-cut dim

CE IP20 0.3m P

3000K | >80CRI | 1600lm | aluminium

| | |
|-------------------|----------|
| white texture | 317274W4 |
| aluminium brushed | 317274L4 |
| black texture | 317274B4 |
| gold | 317274G4 |

3000K | >80CRI | 1600lm | marble | wood

| | |
|--------------|-----------|
| walnut wood | 317274WN4 |
| marble-white | 317274MW4 |
| marble-black | 317274MB4 |

12.0

LED 38W | 220-240VAC | 50-60Hz | PCBA 3-step | incl. PS | phase-cut dim

CE IP20 0.3m P

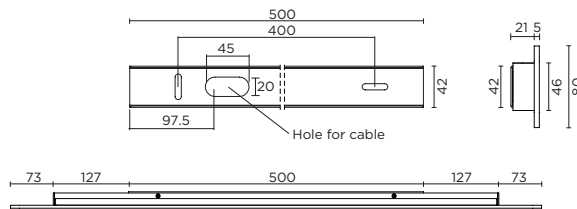
3000K | >80CRI | 2200lm | aluminium

| | |
|-------------------|----------|
| white texture | 317374W4 |
| aluminium brushed | 317374L4 |
| black texture | 317374B4 |
| gold | 317374G4 |

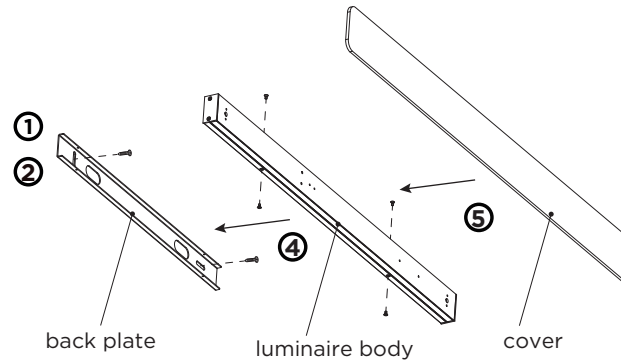
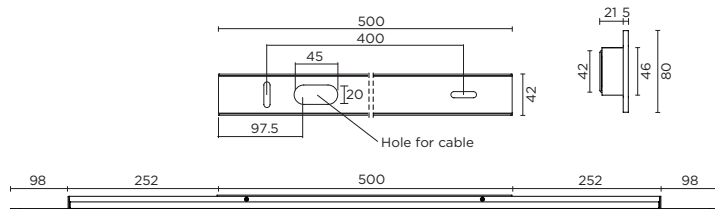
3000K | >80CRI | 2200lm | marble | wood

| | |
|--------------|-----------|
| walnut wood | 317374WN4 |
| marble-white | 317374MW4 |
| marble-black | 317374MB4 |

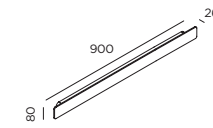
9.0 - back plate & luminaire dimensions



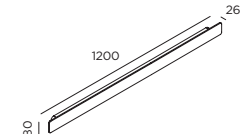
12.0 - back plate & luminaire dimensions



DIMENSIONS



MILES 9.0



MILES 12.0

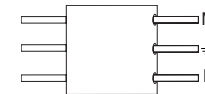
MOUNTING INSTRUCTION

- 1 Remove the back plate from the Luminaire body.
- 2 Fixate the back plate to the wall with 2 screws

POWER CONNECTION

- 3 Connect the power supply

Interior: STANDARD version



- 4 Fixate the luminaire body to the back plate with 4 screws.
- 5 Mount the light cover on the Luminaire body by pressing.

* Due to the wooden covers being made from natural material, the shape might show irregularities that will be straightened out when correctly mounting it to the luminaire



WEVER & DUCRÉ
LIGHTING

www.weverducre.com

Wever & Ducre bvba Spinnerijstraat 99/21 8500 Kortrijk

INSTALLATION
INSTRUCTIONS